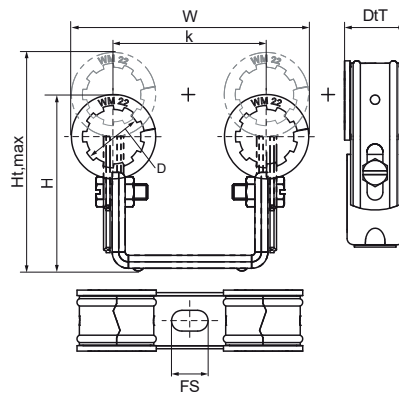


## Walraven Duplo Double Clamp with Lining

(A1505)

for heating pipes



### Features & benefits

- two clamps on connection bracket
- for fixing of two pipes
- space saving
- clamp shells are reinforced
- two parts of the clamp interlock
- bracket reinforced for extra strength
- tube insulation can easily be fitted
- adjustable distance between pipe and wall
- material: steel
- pre-galvanized
- sound insulating lining according to DIN 4109

Product Number	Outside Pipe Diameter	Total Width x Total Height x Total Depth	Maximum Height	Fixing Slot	Heart To Heart Distance	Max. Wall Distance Center Clamp	Min. Wall Distance Center Clamp	Maximum Allowed Load Faz	Maximum Allowed Load Fax
<i>Reference letter</i>	<i>D</i>	<i>W x H x DtT</i>	<i>Ht,max</i>	<i>FS</i>	<i>k</i>			<i>Fa,z</i>	<i>Fa,x</i>
<i>Unit description</i>	<i>mm</i>	<i>mm x mm x mm</i>	<i>mm</i>	<i>mm</i>	<i>mm</i>	<i>mm</i>	<i>mm</i>	<i>N</i>	<i>N</i>
3215015	15	87 x 74 x 25	78.75	15x8,5	60	65.25	51	200	100
3215021	22	92 x 81 x 25	84.25	15x8,5	59	68	53	200	100
3215027	28	99 x 87 x 25	88.75	15x8,5	60	69	53	200	100
3215033	33	105 x 92 x 25	94.75	15x8,5	60	72	58	200	100
3215043	42	155 x 117 x 26	104	15x8,5	100	85	71	200	100