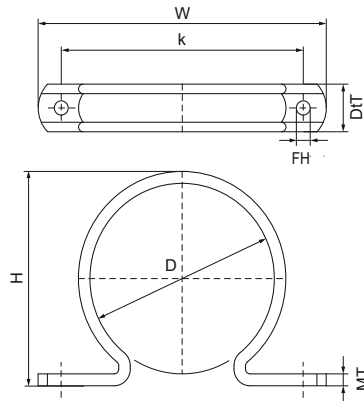


Walraven PVC Saddle

(C3505)

for plastic pipes



Features & benefits

- one-part saddle
- by design, the pipe is separated from underground
- material: hard PVC (polyvinylchloride), grey or white
- UV-stabilized

Product Number	Outside Pipe Diameter	Fixing Hole	Heart To Heart Distance	Material Thickness	Total Width x Total Height x Total Depth	Maximum Allowed Load Faz
<i>Reference letter</i>	<i>D</i>	<i>FH</i>	<i>k</i>	<i>MT</i>	<i>W x H x DtT</i>	<i>Fa,z</i>
<i>Unit description</i>	<i>mm</i>	<i>mm</i>	<i>mm</i>	<i>mm</i>	<i>mm x mm x mm</i>	<i>N</i>
1800032	32	6	53	4.50	73 x 45 x 20	300
1800040	40	6	57	4.50	77 x 52 x 20	300
1800050	50	6	68	4.50	88 x 63 x 20	300
1800063	63	6	79	4.50	99 x 74 x 20	300
1800070	70	6	79	4.50	99 x 83 x 20	300
1800075	75	6	78	4.50	98 x 88 x 20	300
1800080	80	6	101	4.50	121 x 90 x 20	300
1800090	90	6	106	4.50	126 x 104 x 20	300
1800100	100	6	111	4.50	131 x 114 x 20	300
1800110	110	6	107	4.50	127 x 124 x 20	300
1800125	125	6	123	4.50	143 x 138 x 20	300