

Product data sheet Spirotech

Product name

SpiroCombi MB3 -28mm -Magnet -Uni

Product properties

A brass (microbubble) deaerator and dirt separator with a magnet and a 22 mm - 2" universal connection

- Combined separation system - removes circulating air and microbubbles effectively
- Very small particles, from 5 μm (= 0.005 mm), are separated and removed
- Including a magnet for extra protection and high efficient removal of magnetite
- Dirt can be discharged while the system is in operation
- No shut-off valves or bypass required
- Applicable with 50/50 Ethylene Glycol / Water (Volume)
- Improve cost control and energy efficiency
- Constant low pressure drop
- Connection diameters from 22 mm to 2" (G2)
- Exceptional guarantee

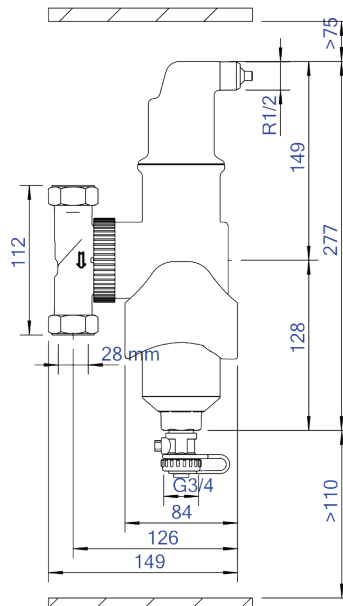
Article number

UC028WJ

Product image



Product dimensions



Product data sheet Spirotech

ETIM product data

Housing material	Brass	Article compression class	PN 10
With drain valve	Yes	Surface protection	Untreated
Housing material quality	Other	Suitable for open system	No
Backwash filter	No	Suitable for closed system	Yes
Medium temperature (continuous)	0 - 110 °C	Suitable for solar	No
Max. operating pressure	10 bar	With dismountable filter	No
KVS value [m ³ /h] at ΔP 1 bar	11.55	Filter volume	0.59 l
Variable flow direction	Yes	Magnet operating principle	Yes
With insulation	No	With automatic de-aerator	Yes
Separator type	Air/dirt	With integrated replenishment automat	No
Connection	Compression ring	With couplers	Yes
Model	Horizontal/vertical	Cleaning possible during operation	Yes
Nominal diameter	Other	Material of connection	Brass
Max. glycol mixture	50 %	Inlet/outlet offset distance	0 mm
Suitable for heating	Yes	Material quality connection	Other
Suitable for cooling	Yes	Flow-through capacity	0 - 2 m ³ /h
Outer pipe diameter	28 mm	Operating principle	Magnet
Construction length	120 mm	Magnet location	External

Disclaimer

This product sheet has been compiled with the greatest possible care. Nevertheless, it may contain errors or omissions. For the most current and correct information we refer you to our website

