

# Product data sheet Spirotech

## Product name

**SpiroTrap MB3 -28mm -Magnet -Uni**

## Product properties

A brass dirt separator with magnet and a 22 mm - 2" universal connection

- Very small particles, from 5  $\mu\text{m}$  (= 0.005 mm) are separated and removed
- Including a magnet for extra protection and high efficient removal of magnetite
- Dirt can be drained while the system is in operation
- No shut-off valves or bypass required
- Applicable with 50/50 Ethylene Glycol / Water (Volume)
- Constant low pressure drop
- Maintenance only takes a few seconds and is not a dirty job
- No unnecessary downtime
- Connection diameters from 22 mm - 2" (G2)

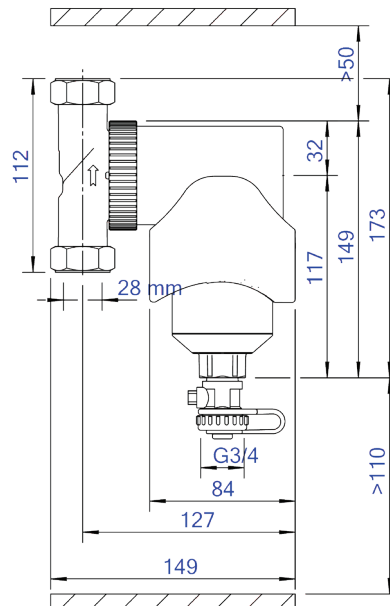
## Article number

**UE028WJ**

## Product image



## Product dimensions



# Product data sheet Spirotech

## ETIM product data

|   |                     |
|---|---------------------|
| Housing material                          | Brass               |
| With drain valve                          | Yes                 |
| Housing material quality                  | Other               |
| Backwash filter                           | No                  |
| Medium temperature (continuous)           | 0 - 110 °C          |
| Max. operating pressure                   | 10 bar              |
| KVS value [m <sup>3</sup> /h] at ΔP 1 bar | 10.13               |
| Variable flow direction                   | Yes                 |
| With insulation                           | No                  |
| Separator type                            | Dirt                |
| Connection                                | Compression ring    |
| Model                                     | Horizontal/vertical |
| Nominal diameter                          | Other               |
| Max. glycol mixture                       | 50 %                |
| Suitable for heating                      | Yes                 |
| Suitable for cooling                      | Yes                 |
| Outer pipe diameter                       | 28 mm               |
| Construction length                       | 112 mm              |
| Article compression class                 | PN 10               |
| Surface protection                        | Untreated           |
| Suitable for open system                  | No                  |

|                                       |                         |
|---------------------------------------|-------------------------|
| Suitable for closed system            | Yes                     |
| Suitable for solar                    | No                      |
| Whirl operating principle             | No                      |
| Negative pressure operating principle | No                      |
| With dismountable filter              | No                      |
| Filter volume                         | 0.39 l                  |
| Magnet operating principle            | Yes                     |
| Thrust operating principle            | No                      |
| With automatic de-aerator             | No                      |
| Partial flow principle                | No                      |
| Principle full flow with settling     | Yes                     |
| With integrated replenishment automat | No                      |
| With couplers                         | Yes                     |
| Cleaning possible during operation    | Yes                     |
| Material of connection                | Brass                   |
| Inlet/outlet offset distance          | 0 mm                    |
| Material quality connection           | Other                   |
| Flow-through capacity                 | 0 - 2 m <sup>3</sup> /h |
| Operating principle                   | Magnet                  |
| Magnet location                       | External                |

### Disclaimer

This product sheet has been compiled with the greatest possible care. Nevertheless, it may contain errors or omissions. For the most current and correct information we refer you to our website

