

# Product data sheet Spirotech

## Product name

**SpiroTrap MB3 -1" -Magnet -Uni**

## Product properties

A brass dirt separator with magnet and a 22 mm - 2" universal connection

- Very small particles, from 5  $\mu\text{m}$  (= 0.005 mm) are separated and removed
- Including a magnet for extra protection and high efficient removal of magnetite
- Dirt can be drained while the system is in operation
- No shut-off valves or bypass required
- Applicable with 50/50 Ethylene Glycol / Water (Volume)
- Constant low pressure drop
- Maintenance only takes a few seconds and is not a dirty job
- No unnecessary downtime
- Connection diameters from 22 mm - 2" (G2)

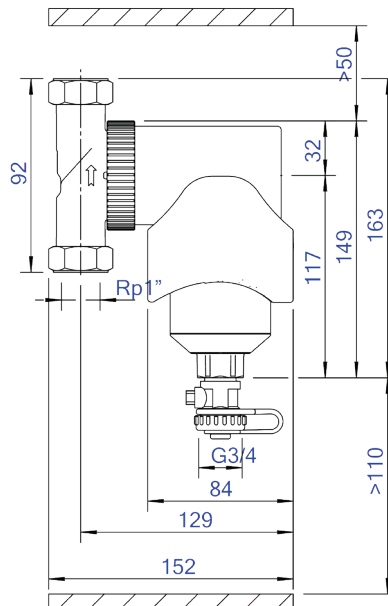
## Article number

**UE100WJ**

## Product image



## Product dimensions



# Product data sheet Spirotech

## ETIM product data

Housing material	Brass	Suitable for closed system	Yes
With drain valve	Yes	Suitable for solar	No
Housing material quality	Other	Whirl operating principle	No
Backwash filter	No	Negative pressure operating principle	No
Medium temperature (continuous)	0 - 110 °C	With dismountable filter	No
Max. operating pressure	10 bar	Filter volume	0.39 l
KVS value [m <sup>3</sup> /h] at ΔP 1 bar	10.13	Magnet operating principle	Yes
Variable flow direction	Yes	Thrust operating principle	No
With insulation	No	With automatic de-aerator	No
Separator type	Dirt	Partial flow principle	No
Connection	Internal thread cylindrical BSPT-Rp (ISO 7-1 / EN 10226-1)	Principle full flow with settling	Yes
Model	Horizontal/vertical	With integrated replenishment automat	No
Nominal diameter	1 inch (25)	With couplers	Yes
Max. glycol mixture	50 %	Cleaning possible during operation	Yes
Suitable for heating	Yes	Material of connection	Brass
Suitable for cooling	Yes	Inlet/outlet offset distance	0 mm
Construction length	90 mm	Material quality connection	Other
Article compression class	PN 10	Flow-through capacity	0 - 2 m <sup>3</sup> /h
Surface protection	Untreated	Operating principle	Magnet
Suitable for open system	No	Magnet location	External

### Disclaimer

This product sheet has been compiled with the greatest possible care. Nevertheless, it may contain errors or omissions. For the most current and correct information we refer you to our website

