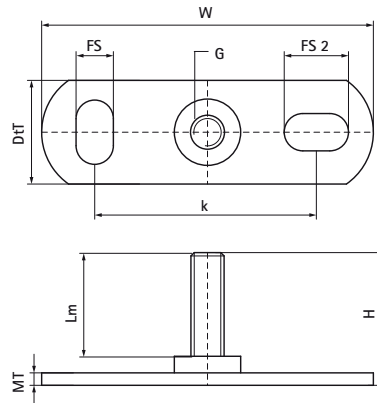


Walraven Wall Plate 672 (Male Thread)

(K1515)

fixing to wall or ceiling



Features & benefits

- fixings to ceiling or floor (only tension loads recommended)
- slots at 90° to each other to simplify fixing
- with resistance welded male stud bolt
- material: steel
- zinc plated

Product Number	Connection Thread	Length Metrical Thread	Total Width x Total Height x Total Length	Material Thickness	Fixing Slot	Fixing Slot 2	Heart To Heart Distance	Maximum Allowed Load Faz
<i>Reference letter</i>	<i>G</i>	<i>Lm</i>	<i>W x H x L</i>	<i>MT</i>	<i>FS</i>	<i>FS 2</i>	<i>k</i>	<i>Fa,z</i>
<i>Unit description</i>		<i>mm</i>	<i>mm x mm x mm</i>	<i>mm</i>	<i>mm</i>	<i>mm</i>	<i>mm</i>	<i>N</i>
6723006	M6	25	25 x 31 x 80	3.00	15x8,5	15x8,5	50	2,500
6723008	M8	25	25 x 32 x 80	3.00	15x8,5	15x8,5	50	2,500
6723010	M10	35	25 x 45 x 80	3.00	15x8,5	15x8,5	50	2,500
6723108	M8	10	25 x 17 x 80	3.00	15x8,5	15x8,5	50	2,500
6723110	M10	12	25 x 22.4 x 80	3.00	15x8,5	15x8,5	50	2,500